



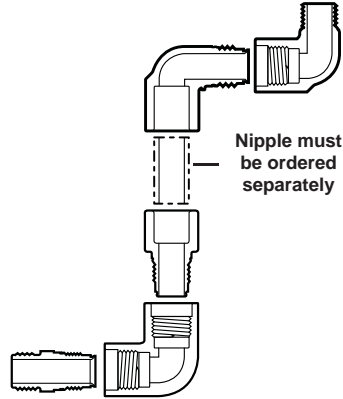
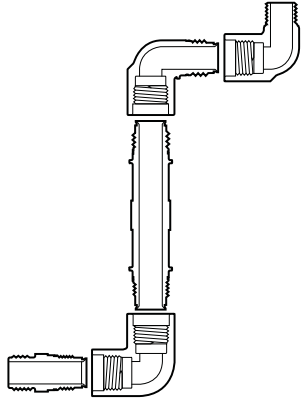
**SWING JOINT RISER
ASSEMBLIES
INSTALLATION INFORMATION**



SJ-3A-1114

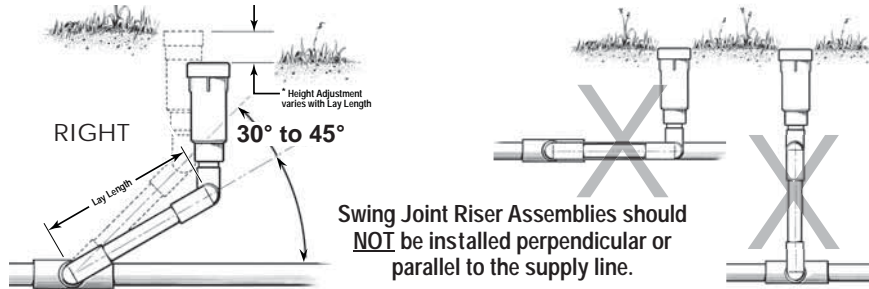
5800 Series
MALE BUTTRESS THREAD RISER NIPPLE STYLE

5900 Series
SOLVENT CEMENT RISER NIPPLE STYLE



RECOMMENDATIONS FOR INSTALLERS AND USERS:

Plastic piping systems should be **ENGINEERED, INSTALLED, and OPERATED** in accordance with **ESTABLISHED DESIGN AND ENGINEERING STANDARDS AND PROCEDURES**. Suitability for the intended service application should be determined by the installer and/or user prior to installation. **PRIOR TO ASSEMBLY**, all piping components should be inspected for damage or irregularities. Mating components should be checked to assure that tolerances and engagements are compatible. Do not use any components that appear irregular or do not fit properly. Contact the appropriate manufacturer of the component product in question to determine usability.



- I. The 5800 and 5900 Style Swing Joint Riser Assemblies are pre-assembled from the factory with O-ring threaded joints. These joints are pre-lubricated and should not be disassembled, as dirt, sand or other foreign objects could damage the O-ring or threads and cause leakage.
- II. Prior to beginning installation, tighten each O-ring thread joint completely, and then back out the male part one full turn to allow the joint to swivel a full 360°.
- III. Trench Installations:

Spears® Manufacturing Company recommends installing our Swing Joint Riser Assemblies in a 30° to 45° orientation to the lateral piping to which they are attached. Installing Swing Joint Riser Assemblies in a perpendicular or parallel fashion to the lateral is not recommended. Trenching must be deep enough to accommodate the height of the sprinkler and riser to allow for proper surface grading while providing adequate protection of the piping system.

— CONTINUED ON REVERSE —



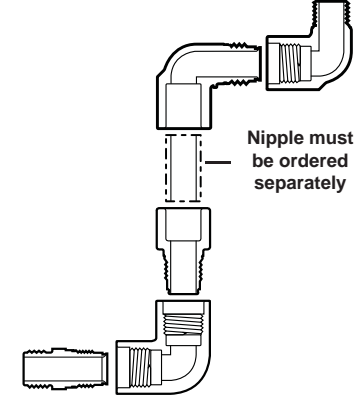
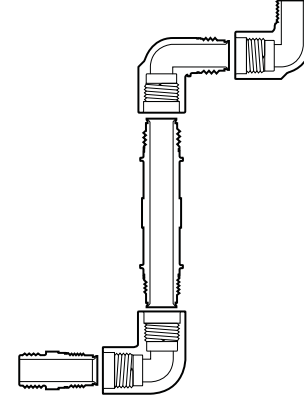
**SWING JOINT RISER
ASSEMBLIES
INSTALLATION INFORMATION**



SJ-3A-1114

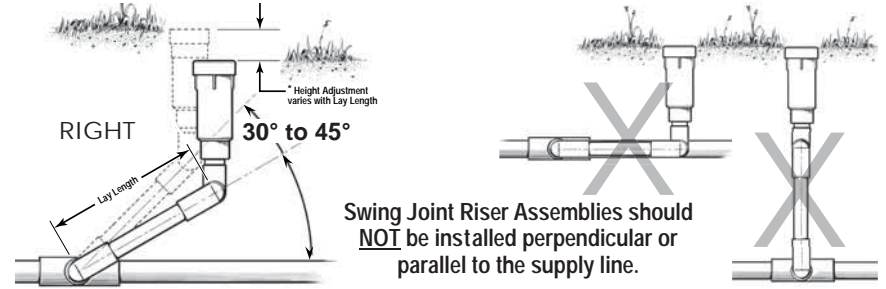
5800 Series
MALE BUTTRESS THREAD RISER NIPPLE STYLE

5900 Series
SOLVENT CEMENT RISER NIPPLE STYLE



RECOMMENDATIONS FOR INSTALLERS AND USERS:

Plastic piping systems should be **ENGINEERED, INSTALLED, and OPERATED** in accordance with **ESTABLISHED DESIGN AND ENGINEERING STANDARDS AND PROCEDURES**. Suitability for the intended service application should be determined by the installer and/or user prior to installation. **PRIOR TO ASSEMBLY**, all piping components should be inspected for damage or irregularities. Mating components should be checked to assure that tolerances and engagements are compatible. Do not use any components that appear irregular or do not fit properly. Contact the appropriate manufacturer of the component product in question to determine usability.



- I. The 5800 and 5900 Style Swing Joint Riser Assemblies are pre-assembled from the factory with O-ring threaded joints. These joints are pre-lubricated and should not be disassembled, as dirt, sand or other foreign objects could damage the O-ring or threads and cause leakage.
- II. Prior to beginning installation, tighten each O-ring thread joint completely, and then back out the male part one full turn to allow the joint to swivel a full 360°.
- III. Trench Installations:

Spears® Manufacturing Company recommends installing our Swing Joint Riser Assemblies in a 30° to 45° orientation to the lateral piping to which they are attached. Installing Swing Joint Riser Assemblies in a perpendicular or parallel fashion to the lateral is not recommended. Trenching must be deep enough to accommodate the height of the sprinkler and riser to allow for proper surface grading while providing adequate protection of the piping system.

— CONTINUED ON REVERSE —

IV. For Threaded Inlets Or Outlets:

When making up the threaded connection to the service line, or the sprinkler head, Spears® Manufacturing Company recommends the use of a quality grade thread sealant. **WARNING: SOME PIPE JOINT COMPOUNDS OR PTFE PASTES MAY CONTAIN SUBSTANCES THAT COULD CAUSE STRESS CRACKING TO PLASTIC.** Spears® Manufacturing Company recommends the use of Spears® BLUE 75™ thread sealant which has been tested for compatibility with Spears® products. Check with application/installation instructions. Choice of an appropriate thread sealant other than those listed above is at the discretion of the installer. 1 to 2 turns beyond FINGER TIGHT is generally all that is required to make a sound plastic threaded connection. Unnecessary OVERTIGHTENING will cause DAMAGE TO BOTH PIPE AND FITTING.

V. For Solvent Cemented Joints:

Read and follow all Spears® solvent cement and primer application/installation instructions and safety precautions thoroughly. It is absolutely necessary that the installer become familiar with the proper solvent cementing procedures before performing this step. Incorrect solvent cementing procedures will produce unsound connections. Cut or order the riser nipple and inlet/outlet nipples to desired lengths, as required, and solvent cement them to the Swing Joint Riser Assembly. Care must be taken to prevent solvent cement or primer from coming in contact with the O-rings or buttress threads. Since Spears® Schedule 80 "Plus" Swing Joint Riser components have interference fit sockets, a Medium Bodied Cement may be used.

• CAUTION •

- **WATER HAMMER** — Spears® Manufacturing Company recommends that all PVC and CPVC plastic piping systems be designed and constructed to **AVOID EXCESSIVE WATER HAMMER**. Water hammer can cause damage and failure to pipe, valves, and fittings within the piping system.
- Spears® Manufacturing Company **WILL NOT ACCEPT RESPONSIBILITY** for damage or impairment of its products, or other consequential or incidental damages caused by misapplication, incorrect assembly, and/or exposure to harmful substances or conditions.
- **SYSTEM DAMAGE AND SERIOUS OR FATAL BODILY INJURIES MAY RESULT FROM IMPROPER DESIGN, INSTALLATION, OPERATION AND USE OF COMPRESSED AIR OR GAS FOR TESTING PURPOSES.**
- **BEFORE APPLYING PRIMER AND CEMENT**, appropriate safety precautions should be taken. **Read and follow all solvent cement and primer manufacturer's application/installation instructions and safety precautions thoroughly.** Primer and Cement should be stored in the shade between 40°F and 110°F. Solvent cement and primer are flammable. Eliminate all ignition sources. Avoid breathing of vapors. Use only with adequate ventilation; explosion-proof general mechanical ventilation or local exhaust is recommended to maintain vapor concentrations below recommended exposure limits. Containers should be kept tightly closed when not in use, and covered as much as possible when in use. Avoid frequent contact with skin; wearing PVA coated protective gloves and impervious apron are recommended. Avoid any contact with eyes; splash-proof chemical goggles are recommended.

NOT FOR DISTRIBUTION OF COMPRESSED AIR OR GAS

The information contained in this publication is based on current information and product design at the time of publication and is subject to change without notification. Our ongoing commitment to product improvement may result in some variations. No representations, guarantees or warranties of any kind are made as to its accuracy, suitability for particular application or results to be obtained therefrom. For information not contained herein, please contact Spears® Technical Services Department — West Coast: (818) 364-1611 — East Coast: (717) 938-9006.



IV. For Threaded Inlets Or Outlets:

When making up the threaded connection to the service line, or the sprinkler head, Spears® Manufacturing Company recommends the use of a quality grade thread sealant. **WARNING: SOME PIPE JOINT COMPOUNDS OR PTFE PASTES MAY CONTAIN SUBSTANCES THAT COULD CAUSE STRESS CRACKING TO PLASTIC.** Spears® Manufacturing Company recommends the use of Spears® BLUE 75™ thread sealant which has been tested for compatibility with Spears® products. Check with application/installation instructions. Choice of an appropriate thread sealant other than those listed above is at the discretion of the installer. 1 to 2 turns beyond FINGER TIGHT is generally all that is required to make a sound plastic threaded connection. Unnecessary OVERTIGHTENING will cause DAMAGE TO BOTH PIPE AND FITTING.

V. For Solvent Cemented Joints:

Read and follow all Spears® solvent cement and primer application/installation instructions and safety precautions thoroughly. It is absolutely necessary that the installer become familiar with the proper solvent cementing procedures before performing this step. Incorrect solvent cementing procedures will produce unsound connections. Cut or order the riser nipple and inlet/outlet nipples to desired lengths, as required, and solvent cement them to the Swing Joint Riser Assembly. Care must be taken to prevent solvent cement or primer from coming in contact with the O-rings or buttress threads. Since Spears® Schedule 80 "Plus" Swing Joint Riser components have interference fit sockets, a Medium Bodied Cement may be used.

• CAUTION •

- **WATER HAMMER** — Spears® Manufacturing Company recommends that all PVC and CPVC plastic piping systems be designed and constructed to **AVOID EXCESSIVE WATER HAMMER**. Water hammer can cause damage and failure to pipe, valves, and fittings within the piping system.
- Spears® Manufacturing Company **WILL NOT ACCEPT RESPONSIBILITY** for damage or impairment of its products, or other consequential or incidental damages caused by misapplication, incorrect assembly, and/or exposure to harmful substances or conditions.
- **SYSTEM DAMAGE AND SERIOUS OR FATAL BODILY INJURIES MAY RESULT FROM IMPROPER DESIGN, INSTALLATION, OPERATION AND USE OF COMPRESSED AIR OR GAS FOR TESTING PURPOSES.**
- **BEFORE APPLYING PRIMER AND CEMENT**, appropriate safety precautions should be taken. **Read and follow all solvent cement and primer manufacturer's application/installation instructions and safety precautions thoroughly.** Primer and Cement should be stored in the shade between 40°F and 110°F. Solvent cement and primer are flammable. Eliminate all ignition sources. Avoid breathing of vapors. Use only with adequate ventilation; explosion-proof general mechanical ventilation or local exhaust is recommended to maintain vapor concentrations below recommended exposure limits. Containers should be kept tightly closed when not in use, and covered as much as possible when in use. Avoid frequent contact with skin; wearing PVA coated protective gloves and impervious apron are recommended. Avoid any contact with eyes; splash-proof chemical goggles are recommended.

NOT FOR DISTRIBUTION OF COMPRESSED AIR OR GAS



The information contained in this publication is based on current information and product design at the time of publication and is subject to change without notification. Our ongoing commitment to product improvement may result in some variations. No representations, guarantees or warranties of any kind are made as to its accuracy, suitability for particular application or results to be obtained therefrom. For information not contained herein, please contact Spears® Technical Services Department — West Coast: (818) 364-1611 — East Coast: (717) 938-9006.



 SPEARS® MANUFACTURING COMPANY • CORPORATE OFFICE 15853 Olden St., Sylmar, CA 91342 • PO Box 9203, Sylmar, CA 91392 (818) 364-1611 • www.spearsmfg.com											
PACIFIC SOUTHWEST 15860 Olden St. Sylmar (Los Angeles), CA 91342 (818) 364-1611 • (800) 862-1499 Fax (818) 367-3014	ROCKY MOUNTAIN 4880 Florence St. Denver, CO 80238 (303) 371-9430 • (800) 777-4154 Fax (303) 375-9546	UTAH 5395 West 1520 South Salt Lake City, UT 84104 (303) 371-9430 • (800) 777-4154 Fax (303) 375-9546	SOUTHEAST 4205 Newpoint Pl., Suite 100 Lawrenceville (Atlanta), GA 30043 (678) 985-1263 • (800) 662-6326 Fax (678) 985-5642	MIDWEST 1 Gateway Ct., Suite A Bolingbrook (Chicago), IL 60440 (630) 759-7529 • (800) 662-6330 Fax (630) 759-7515							
NORTHWEST 4103 C St. NE Suite 200 Auburn (Seattle), WA 98002 (253) 939-4433 • (800) 347-7327 Fax (253) 939-7557	SOUTH CENTRAL 1000 Lakeside Parkway Flower Mound, TX 75028 (469) 528-3000 • (800) 441-1437 Fax (469) 528-3001	NORTHEAST 590 Industrial Dr., Suite 100 Lewisberry (Harrisburg), PA 17339-9532 (717) 938-8844 • (800) 233-0275 Fax (717) 938-6547	FLORIDA 9563 Parksouth Court Orlando, FL 32837 (407) 843-1960 • (800) 327-6390 Fax (407) 425-3563	INTERNATIONAL SALES 15853 Olden St. Sylmar (Los Angeles), CA 91342 (818) 364-1611 • Fax (818) 898-3774							

© Copyright 2015 Spears® Manufacturing Company. All Rights Reserved.
Printed in the United States of America 08/15.

SJ-3A-1114

 SPEARS® MANUFACTURING COMPANY • CORPORATE OFFICE 15853 Olden St., Sylmar, CA 91342 • PO Box 9203, Sylmar, CA 91392 (818) 364-1611 • www.spearsmfg.com											
PACIFIC SOUTHWEST 15860 Olden St. Sylmar (Los Angeles), CA 91342 (818) 364-1611 • (800) 862-1499 Fax (818) 367-3014	ROCKY MOUNTAIN 4880 Florence St. Denver, CO 80238 (303) 371-9430 • (800) 777-4154 Fax (303) 375-9546	UTAH 5395 West 1520 South Salt Lake City, UT 84104 (303) 371-9430 • (800) 777-4154 Fax (303) 375-9546	SOUTHEAST 4205 Newpoint Pl., Suite 100 Lawrenceville (Atlanta), GA 30043 (678) 985-1263 • (800) 662-6326 Fax (678) 985-5642	MIDWEST 1 Gateway Ct., Suite A Bolingbrook (Chicago), IL 60440 (630) 759-7529 • (800) 662-6330 Fax (630) 759-7515							
NORTHWEST 4103 C St. NE Suite 200 Auburn (Seattle), WA 98002 (253) 939-4433 • (800) 347-7327 Fax (253) 939-7557	SOUTH CENTRAL 1000 Lakeside Parkway Flower Mound, TX 75028 (469) 528-3000 • (800) 441-1437 Fax (469) 528-3001	NORTHEAST 590 Industrial Dr., Suite 100 Lewisberry (Harrisburg), PA 17339-9532 (717) 938-8844 • (800) 233-0275 Fax (717) 938-6547	FLORIDA 9563 Parksouth Court Orlando, FL 32837 (407) 843-1960 • (800) 327-6390 Fax (407) 425-3563	INTERNATIONAL SALES 15853 Olden St. Sylmar (Los Angeles), CA 91342 (818) 364-1611 • Fax (818) 898-3774							

© Copyright 2015 Spears® Manufacturing Company. All Rights Reserved.
Printed in the United States of America 08/15.

SJ-3A-1114